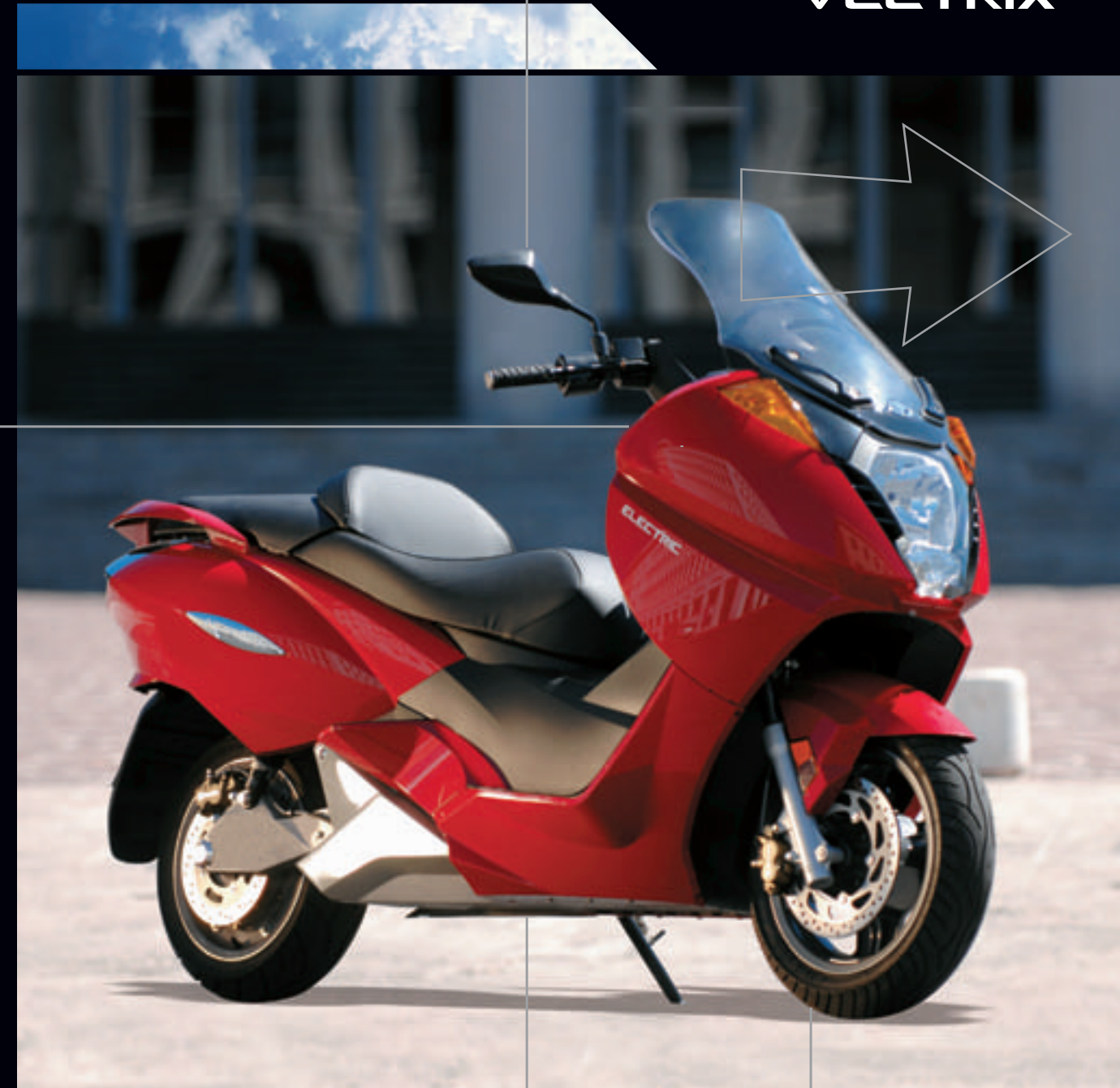


VECTRIX CORPORATION IS DEDICATED TO DEVELOPING AND COMMERCIALIZING ZERO EMISSION VEHICLE ("ZEV") PLATFORM TECHNOLOGIES, WITH AN INITIAL FOCUS ON TWO-WHEEL APPLICATIONS. LONGER TERM, VECTRIX PLANS TO DEVELOP ENVIRONMENTALLY SENSITIVE TECHNOLOGIES FOR OTHER SEGMENTS WITHIN THE TRANSPORTATION INDUSTRY. WE BELIEVE THAT THE INCREASE IN PERSONAL MOBILITY AROUND THE WORLD DOES NOT HAVE TO COME AT THE EXPENSE OF THE ENVIRONMENT.



COOL PEOPLE RIDE ELECTRIC



**Vectrix Corporation**  
11 Touro Street, Suite 201  
Newport, RI 02840 USA  
phone: +1 401 848 9993  
fax: +1 401 848 9994  
email: [info@vectrixusa.com](mailto:info@vectrixusa.com)  
[www.vectrix.com](http://www.vectrix.com)

**Vectrix Europe**  
Via Papiro Carbone, 15  
00178 Rome, Italy  
phone: +39 06 71280295  
fax: +39 06 71279760  
email: [info@vectrixeuropa.com](mailto:info@vectrixeuropa.com)  
[www.vectrix.com](http://www.vectrix.com)

**Vectrix United Kingdom**  
Elm Farm, Suite 1  
Hensting Lane  
Eastleigh, Hampshire SO50 7HH  
United Kingdom  
phone: +44 (0) 1962 777600  
fax: +44 (0) 1962 777620  
email: [abamberg@vectrix.co.uk](mailto:abamberg@vectrix.co.uk)  
[www.vectrix.com](http://www.vectrix.com)  
[www.vectrix.co.uk](http://www.vectrix.co.uk)



COOL PEOPLE RIDE ELECTRIC



“Our goal is to be first to market with a high-quality, zero-emission two-wheel vehicle capable of delivering high-speed performance, extended range, and reliable operation. Our first product, the Vectrix Electric MAXI-Scooter, will set the ‘standard of excellence’ and play a major role in addressing urban congestion, especially in Europe.”

- Andrew MacGowan, CEO & President, Vectrix Corporation



## **CHANGING** THE LANDSCAPE OF **PERSONAL TRANSPORTATION**

As major cities worldwide face increasing automotive congestion and environmental decline, their governments and citizens are searching for clean, efficient, and affordable personal transportation solutions. While gasoline-powered motorcycles and scooters help reduce inner-city congestion, they produce a disproportionate amount of emissions and noise for their size. Existing electric scooters address the problems of congestion and pollution, but they fail to meet the needs and expectations of consumers.

At Vectrix Corporation, we're pioneering innovative solutions to meet these challenges. Since 1996, we've worked to develop clean, efficient, reliable, and affordable urban transportation technologies. With a world-class management team, leading industry strategic partners (including Fortune 500 Parker Hannifin—NYSE: PH), and six patents encompassing 133 claims, Vectrix is positioned to be a leader in the zero-emission vehicle market.

Our first product, a high-performance Electric MAXI-Scooter, has been launched worldwide! Working closely with our business and technology partners, we're building manufacturing operations in the United States and Europe. Longer term, we plan to develop environmentally sensitive technologies for other transportation applications.

By developing the world's first Electric MAXI-Scooter, Vectrix is the leading solution in a market projected to grow dramatically in the near future. With a clear demand for our innovative technology, we are focused on a single, driving vision: to change the landscape of personal transportation.



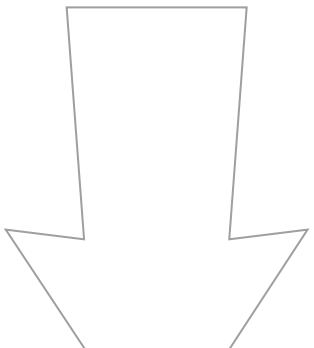


“In Europe and especially in Italy - the most relevant motorcycle/scooter market - solving the congestion and emission challenge is of para-mount importance. Vectrix has created the world’s best pollution-free alternative to gasoline-powered maxi-scooters and motorcycles.”

- Carlo Di Biagio, COO, Global Sales & Marketing, Vectrix Corporation

**THE VECTRIX ELECTRIC MAXI-SCOOTER OUTPERFORMS TRADITIONAL GASOLINE-POWERED SCOOTERS:**

ATTRIBUTE	VECTRIX	GAS SCOOTER
ACCELERATION	EXCELLENT	GOOD
OPERATING COSTS	VERY LOW	HIGH
MAINTENANCE	MINIMAL	HIGH
EMISSIONS	ZERO	HIGH
NOISE	QUIET	NOISY
GOVT. SUBSIDIES	YES	NO
TECHNOLOGY	SUNRISE	SUNSET
GROWTH POTENTIAL	HIGH	MEDIUM



**LEADING THE REVOLUTION**

Introducing the Vectrix Electric MAXI-Scooter—a revolution in urban transportation. It’s the world’s first high-powered electric two-wheel vehicle specifically designed to compete with large gasoline-powered scooters. It offers breathtaking acceleration, low running costs, minimal maintenance, simple operation, low noise, and zero emissions.

The Vectrix MAXI-Scooter is the perfect solution for urban commuters. Its top speed of 100 km/h (62 mph) and rapid acceleration of 0–80 km/h (50 mph) in 6.8 seconds make it easy and safe to zip in and out of traffic. The onboard charger plugs into any standard electrical outlet and fully charges the batteries in 2 hours (80%). With ample storage and a range of up to 110 km (68 miles) between charges, the Vectrix MAXI-Scooter more than satisfies the needs of commuters.

It’s fun to ride and easy to operate. A low center of gravity and stiff frame provide excellent handling, and the patented throttle-activated regenerative braking system slows the vehicle smoothly and safely (similar to ABS braking). The throttle also operates a slow-speed reverse function for easy parking.

Vectrix uses innovative zero-emission technology to offer a clean, quiet, and much-needed alternative to existing gasoline-powered vehicles.

The Vectrix MAXI-Scooter offers unprecedented freedom from traffic jams, pollution, expensive maintenance and rising fuel prices. The Vectrix gives you freedom to move.

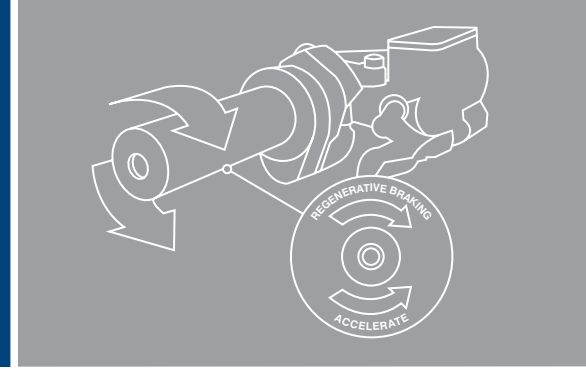






“From the beginning, our team set out to enhance personal transportation in an effort to match or exceed the performance of our internal combustion cousins. Fewer moving parts and six key product patents have given Vectrix the leverage to challenge the European dynasty in scooters and motorcycles.”

- Peter Hughes, Vice President, Technology, Vectrix Corporation



**SERIOUS ENGINEERING INSPIRED  
BY INNOVATIVE DESIGN**

Vectrix’s engineering team started with a mission-specific design strategy to develop an urban commuter vehicle that would be better than large gasoline-powered scooters in terms of acceleration, handling, ease of operation, running costs, and emissions. Our team of engineers, manufacturing experts, and leading two-wheel vehicle designers has successfully created a state-of-the-art personal transportation solution.

**HIGH PERFORMANCE**

The Vectrix MAXI-Scooter’s rapid acceleration, high top speed, and excellent range are due to the balance of sophisticated design efficiencies engineered specifically for Vectrix, including a high efficiency gearbox and drive train, extensive use of aluminum for weight reduction, a patented regenerative braking system, and aerodynamic styling to reduce drag.

**STATE-OF-THE-ART TECHNOLOGY**

The Vectrix MAXI-Scooter features advanced digital technology. The Controller Area Network [CAN] digitally links all of the critical components, allowing the entire system to communicate effectively. The Smart Battery Charger optimizes the battery pack performance, which helps to increase range and extend the life of the batteries. Bluetooth applications are also being developed to support wireless diagnostics and communications.

**SLEEK STYLING**

The revolutionary design of the Vectrix MAXI-Scooter looks great and delivers high performance. Special emphasis has been placed on aesthetics and ergonomics to enhance the riding and ownership experience.

**INTELLECTUAL PROPERTY**

Vectrix has been awarded six U.S. patents encompassing 133 claims covering the vehicle frame, rear wheel mounted gearbox, integrated motor and gearbox, electronics and battery management, multi-function digital throttle, and hybrid (fuel cell) on-board charging. All patents have also been filed under PCT for international coverage.



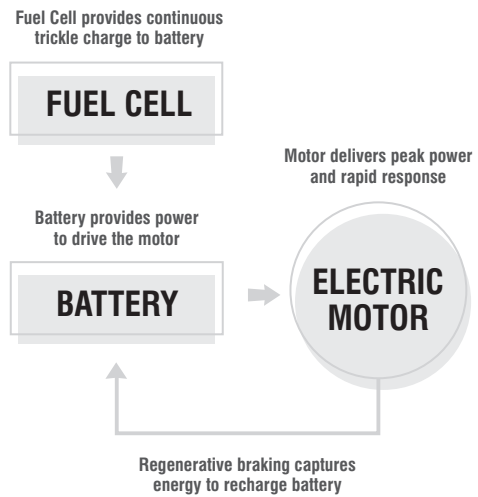
**VECTRIX ENGINEERING ACHIEVEMENTS:**

HIGH PERFORMANCE	EXTENDED RANGE	MINIMAL MAINTENANCE	EXCELLENT HANDLING	IMPROVED FUNCTIONALITY
125V NIMH BATTERY PACK	3.7kW-h BATTERY CAPACITY	INTEGRATED MOTOR & GEARBOX	STIFF ALUMINUM FRAME	SPACIOUS UNDER-SEAT STORAGE
BRUSHLESS, DC MOTOR	REGEN ENGINE BRAKING (DAaRT™)	FEW MOVING PARTS	LOW CENTER OF GRAVITY	SLOW-SPEED REVERSE



“As part of Parker’s ‘Win Strategy,’ we said we would invest in innovative technologies and growth markets. Fuel cell technology offers much promise for the future and Vectrix’s Hybrid MAXI-Scooter demonstrates our shared vision for providing customers with integrated system solutions in personal transportation.”

- Craig Maxwell, Vice President, Technology and Innovation, Parker Hannifin



## THE FUTURE IN MOTION

With our strategic partner, Parker Hannifin, we are continually exploring new applications and groundbreaking technologies. Together, we are engineering our next-generation product: the world’s first full-size, high-speed Fuel Cell/Electric Hybrid MAXI-Scooter. The Fuel Cell Hybrid MAXI-Scooter is designed to deliver extended range and give owners the option of charging from either the onboard fuel cell or at a fixed electrical outlet. Our fuel cell technology has countless applications for cleaner, more efficient personal transportation.

Vectrix is committed to developing innovative solutions through our patented technologies and avant-garde engineering. The Vectrix Electric and Fuel Cell Hybrid MAXI-Scooters are just the beginning. We’re already considering the future development of three-wheel vehicles and additional two-wheel electric vehicles.

With clear vision and innovation, Vectrix is the future in motion.

## PLATFORM FLEXIBILITY SUPPORTS DIFFERENT DESIGNS

### SPORT MOTORCYCLE CONCEPT

BY TRADING RANGE FOR HIGHER SPEED AND BY ADDING LARGE, STABLE 16" WHEELS, VECTRIX HAS CONCEIVED AN URBAN MOTORCYCLE WITH BREATHTAKING PERFORMANCE AND A RADICAL SEATING PLATFORM FOR ENHANCED RIDER COMFORT AND CONTROL.



### 3-WHEEL VEHICLE CONCEPT

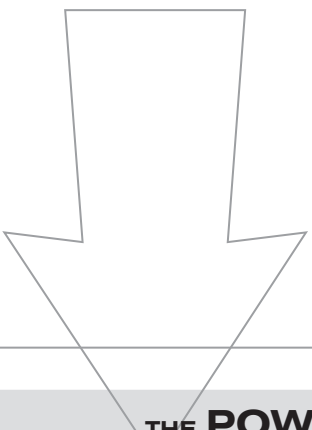
THIS CONCEPT VEHICLE, WITH ITS UNIQUE DOUBLE WHEEL FRONT-END, OFFERS THE AGILITY OF A SCOOTER AND THE SAFETY AND STABILITY OF A SMALL CAR.



### PREMIUM Limited Edition Project

"LUXURY" VERSION OF THE ELECTRIC MAXI-SCOOTER, FITTED WITH CARBON PARTS, HIGH-QUALITY MECHANICS AND EXCLUSIVE ACCESSORIES.





## THE POWER OF PARTNERSHIP

Our success is due largely to the strong relationships we have developed with a number of leading technology companies in the United States, Europe and Asia.

Our vision for partnership began in 1995 while working closely with Lockheed Martin in the creation of the urban transportation concept. With the formal founding of Vectrix Corporation in 1997, we began to transform initial design concepts into prototype platforms. While developing the MAXI-Scooter, we established successful partnerships with battery companies, component manufacturers, and hardware suppliers. As we begin large-scale production, we are aligning with leading two-wheel component and accessory suppliers.

One of our most important partnerships is with Parker Hannifin - a global leader in diversified motion and control technologies and systems. This relationship has led to the breakthrough design of the world's first Fuel Cell/Electric Hybrid MAXI-Scooter.

Parker Hannifin is a leading investor in Vectrix and is supplying many of the components for both the Electric and Fuel Cell Hybrid MAXI-Scooters - including the electric motor, body panels, compressor, valves, seals, and control modules.

Vectrix has also developed strong partnerships with these and other leading international companies:

